

BTS-84 SERIES FLOOR HINGES

“馬可勃羅” BTS-84 系列地彈簧

10 Years Warranty

保質期十年

Single or Double Action Door

單雙開關動向門

High-grade cast iron mechanism body with

painted for corrosion resistance

優質金屬壓鑄外殼符上高級防鏽油漆

Galvanized steel box with zinc protection and

painted for corrosion resistance

優質電鍍金屬箱符上鋅及高級防鏽油漆

Stable hydraulic fluid for any climatic

operation and constant lubrication

優良的液壓灌注適用於不同氣候發揮平穩滑行

Stainless steel cover plate with various finishes:

US3, US4, US32, US32D

備有磨光、磨沙、光金、沙金等不同顏色的不鏽鋼封蓋

Use for Timber, Metal or Glass Door

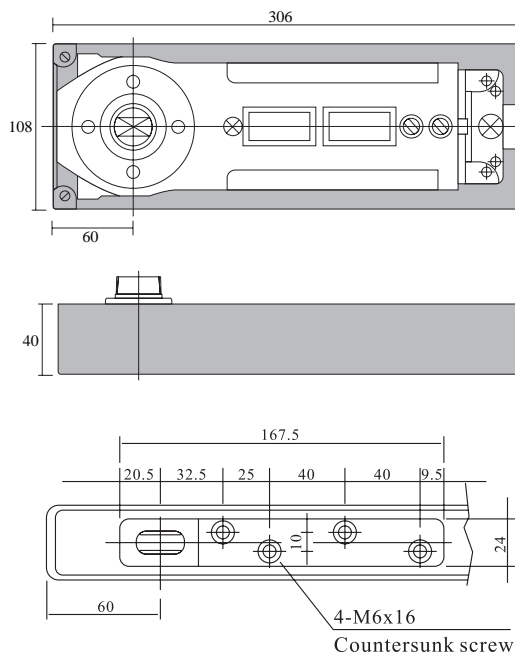
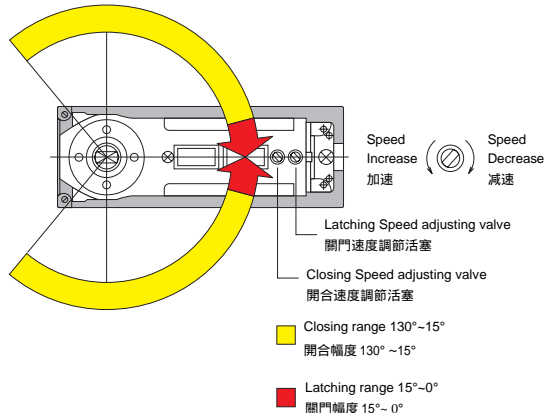
可適用於木門、金屬門或玻璃門

Adjustable closing (from 130°-15°)

and latching (from 15°-0°) speed

可調節式關合操控

Hold open 90° or Non-Hold open
九十度止動或無止動裝置



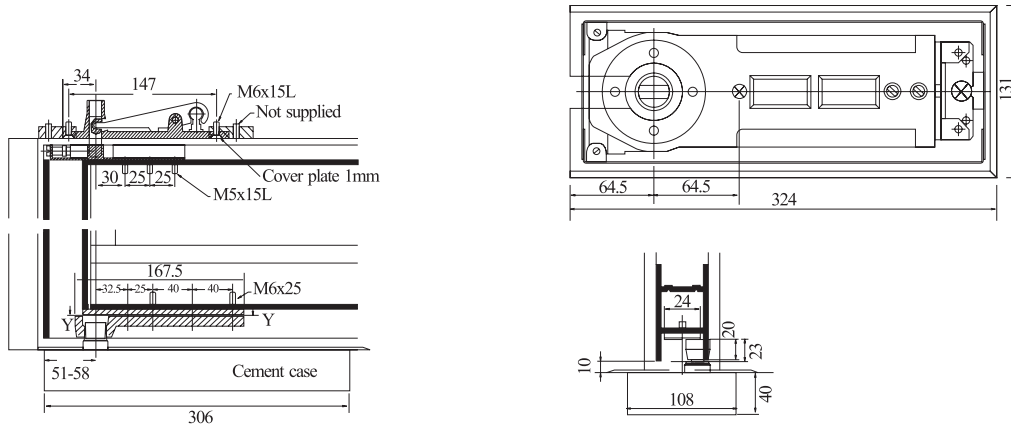
Non-Hold Open 無止動型	Hold Open 止動型	Torque 扭力	Applicable Door Size 適用門尺寸	Maximum Door Weight 最強承重量
MP-BTS-84L	MP-BTS-84L-HO	16 Nm	850x2100 mm	70kg
MP-BTS-84M	MP-BTS-84M-HO	19 Nm	950x2100 mm	95kg
MP-BTS-84H	MP-BTS-84H-HO	26 Nm	1150x2100 mm	115kg

China National Accreditation of Laboratories Report No. GTW0211057 with 500,000 cycles passed

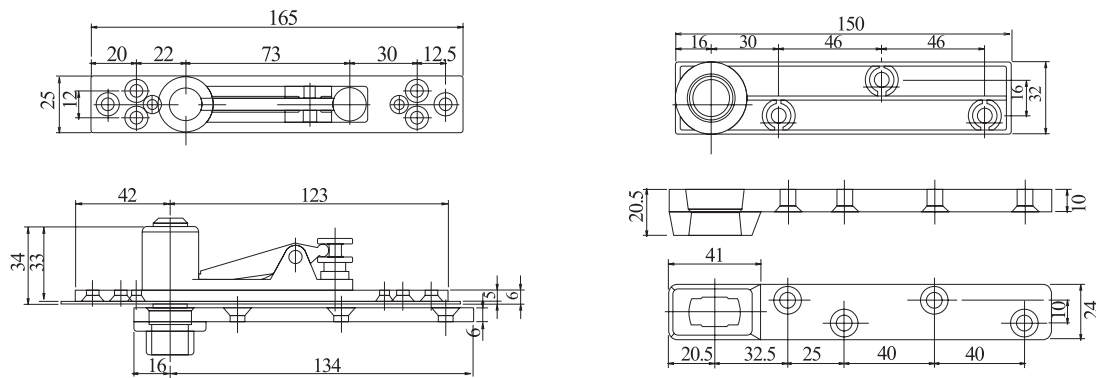
北京國家建材測試中心優等品 伍拾萬次的轉動測試合格



Installation 安裝說明



Standard arm set 標準臂



Accessories for single action timber door 單向木門配件

