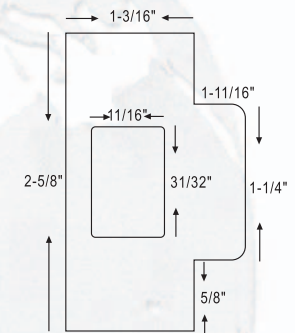
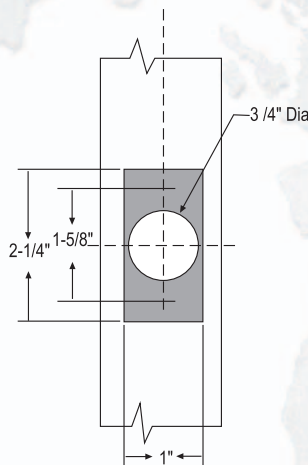
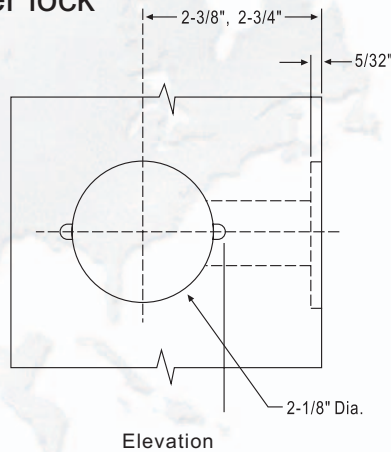
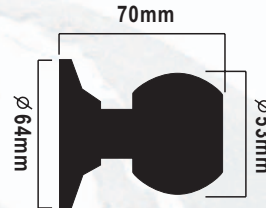




5000 Series Heavy Duty Cylindrical knob



- Comply to ANSI grade 2 standard
- 50,000 cycles passed
- 60 or 70mm backset selectable
- Finishes to be selected
- 3 keys per lock



FUNCTION



00
Unlocked by key from outside when outer knob/lever is locked by turn-button in inside knob/lever

10
Turn-button locking. Unlocked from outside by turning emergency turn-button

30
Both knob/lever always unlocked

50
Unlocked by key from outside, inside knob/lever always free.

60
Lock or unlock by key outside, inside always free

How To Order

Brand	Series	Style	Finish	Function	Rose size	Door Thickness	Backset	Keyway	NO. of keys
MP	C	5	6	00	7	2	7	N	3
	C= Cylindrical T= Tubular	5 = Parma Knob 1880=Milan Lever 3820=Rome lever 3890=Florence Lever 6072=Rimini Knob	2=US26 3=US32 4=US4 6=US32D 7=US3 8=US5 9=US11 0=US10B W=AP V=PVD gold	00=Entrance 10=Privacy 20=Patio 30=Passage 40=Passage single dummy 41=Entrance single dummy 50=Storeroom 60=Classroom	7=75mm 6=65m	1=45mm 2=50mm	6-60mm 7=70mm A=6/70 adjustable	N=SC3 keyway	