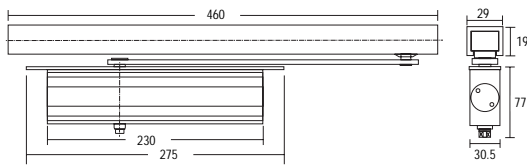


T320 SERIES CONCEALED DOOR CLOSERS

Introduction

“Marco Polo” T320 series concealed door closer is manufactured by quality assured ISO9002 factory since 1993, it provides 2 different power using on interior or exterior doors; non-handed installation makes you feel much convenience. Closing and Latching Speed are to be adjusted under difference circumstance. Optional HOLD OPEN function is available.

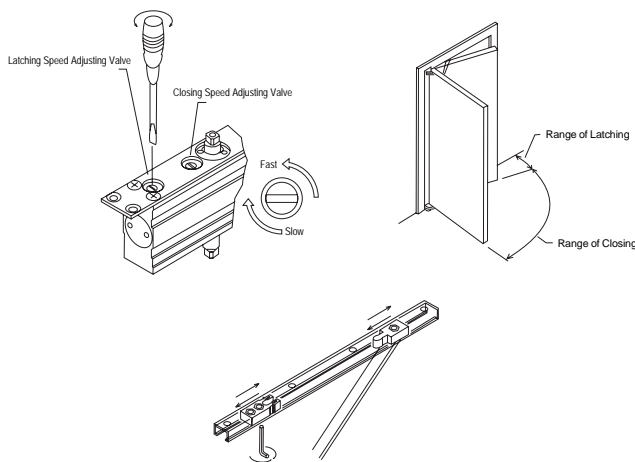


Certification

Construction and Technical Information

- Constructed with extruded anodized aluminum body and high quality steel internal components.
- Heat treated steel rack and pinion immersed in high grade oil to give a smooth precise action and minimum wear.
- Stable hydraulic fluid for any climatic operation and constant lubrication.
- All T320 series door closer complies with 500,000 cycles passed as same quality as our T420 series.
- None of components in a concealed door closer is visible when the door is closed.
- Heat treated high tensile springs.
- Piston and Spindle been heat treated for high strength.
- Non handed installation.
- Easy adjustment of the speed and latch speed after hanging of the doors.
- Cushioned stopper enable the door to be held at 90 degree.
- Standard installation and overhead installation.

All concealed door closers to be installed on the door at least **36mm/metal** and **40mm/wooden** with **Standard installation**, **33mm/metal** and **37mm/wooden** with **Overhead installation**.



Warranty

Door closer is guaranteed for 10 years from the date of manufacture against any defects in material or workmanship and 500,000 cycles passed. Defective product will be replaced a new unit, but no claim for damage incurred or work done thereon will be allowed. This guarantee is void if the product has been found misapplication or abuse.

Finish :

Aluminum US28, US4 and US5

Standard		Min. Door Thickness		Maximum Door Size & Weight	
Non-Hold Open	Hold Open	Metal door	Timber door	Int.	
T322-SD-SA	T322-SD-HO	36mm	40mm	800mm	40kg
T323-SD-SA	T323-SD-HO	36mm	40mm	950mm	60kg

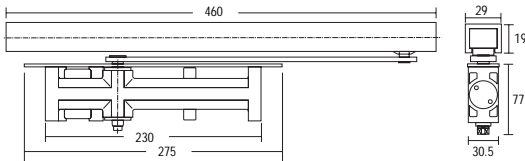
T420 SERIES CONCEALED DOOR CLOSERS

Introduction

“Marco Polo” T420 series door-closers are manufactured by quality assured ISO9002 factory since 1993, it provides 2 different power using on interior or exterior doors; non-handed installation makes you feel much convenience. Closing and Latching Speed are to be adjusted under difference circumstance. Optional HOLD OPEN function is available.

“馬可勃羅” T420 系列 暗裝式閉門器

自1993年已經獲得ISO9002的工廠處理，調節式力度控制；使用於不同類別的房門、辦公室或防火門等。每個閉門器均沒有方向規限，安裝左右門的設計，為使客戶感到方便；備有適用於不同的情況的雙速調節。功能方面可提供九十度止動。



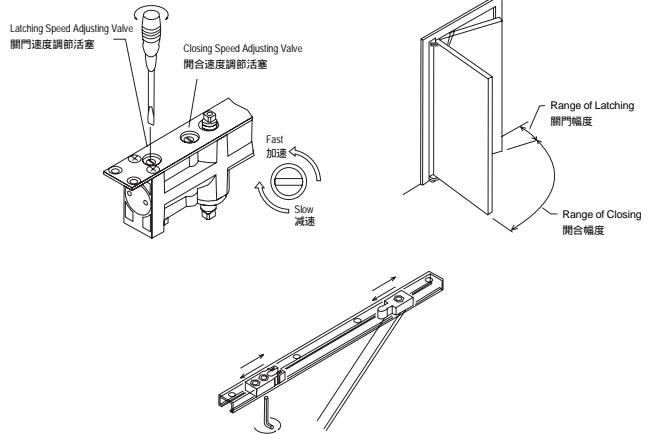
Finish / 顏色



Enamel Silver 銀灰色



Enamel Gold 沙金色



Certification:

All T420 series door closers comply with 500,000 cycles passed. Stable hydraulic fluid for any climatic operation and constant lubrication. **China National Accreditation of Laboratories Report No. TW0208054 with 500,000 cycles passed**

質量證明

所有T420系列閉門器均符合歐洲500,000次轉動測試；適用於不同氣候及平穩閉門器的滑行。

北京國家建材測試中心優等品伍拾萬次的轉動測試合格



Warranty

Door closers are guaranteed for 10 years and 500,000 cycles passed. from the date of manufacture against any defects in material or workmanship Defective product will be replaced a new unit, but no claim for damage incurred or work done thereon will be allowed. This guarantee is void if the product has been found misapplication or abuse.

產品保證

每個產品於正確途徑使用下，都符合伍拾萬次轉動的標準測試；獲提供長達十年品質保證。如遇有損壞的產品，祇要使用者能提出發票及寄給我們，我們定當立刻更新予客戶。當然外表磨損，工程期間的疏忽或不正確使用；這些人為之損耗將不獲受理。

Standard Installation 標準安裝		Min Door Thickness 最低門厚度		Applicable Door Size 適用門尺寸	Maximum Door Weight 最強承重量
Non-Hold Open 無止動型	Hold Open 止動型	Metal Door 金屬門	Timber Door 木門	Int. 戶內	Int. 戶內
T422-SA	T422-SA-HO	36mm	40mm	800mm	40kg
T423-SA	T423-SA-HO	36mm	40mm	800mm	60kg